

## STV Series

### Features

- Pressure rating up to 5000psig(344bar)@100°F(38°C).
- Temperature rating from -65°F(-54°C) to 450°F(232°C) with standard PTFE packing, and up to 600°F (315°C) with optional PEEK packing.
- Choice of materials : Standard S316 and Brass.

### Pressure & Temperature Ratings

Valve Material	Stem	with PTFE packing (Standard)		with PEEK packing (Optional)	
		Temperature Rating	Pressure Rating @100°F (38 °C )	Temperature Rating	Pressure Rating @100°F (38 °C )
Stainless steel	Metal to metal	-65 to 450°F (-54 to 232°C)	5,000psig (344bar)	-65 to 600°F (-54 to 315°C)	3,130psig (215bar)
Brass	Metal to metal	-65°F to 400°F (-54°C to 204°C)	3,000psig (206bar)	-65°F to 400°F (-54°C to 204°C)	3,000psig (206bar)

### Testing

- Every Test Cock valve is factory tested with Nitrogen@1,000psig(69bar) for leakage at the seat to a maximum allowable leak rate of 0.1 SCCM.

### Sour Gas Service

- For use valve in sour gas, materials for wetted components are selected in accordance with NACE MR0175 latest revision.

### Ordering Information

- Selection the applicable options from designators listed below.

**STV-S-6M**

Series Designator

**SG**

Sour Gas Designator  
Nil : Standard  
SG : Sour Gas Service

**S6**

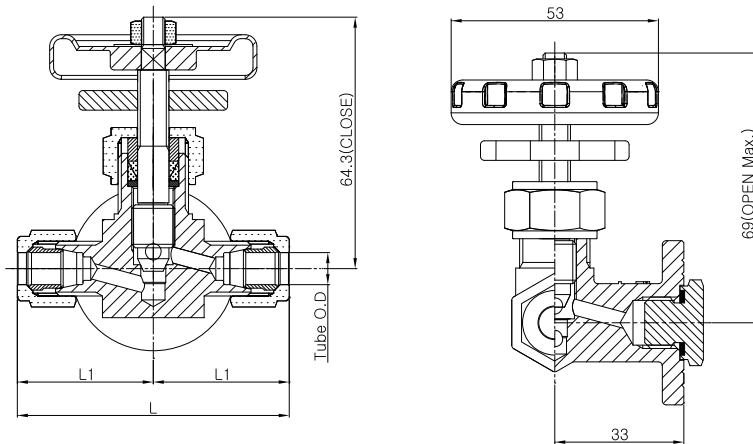
Body Material  
S6 : 316 Stainless Steel  
BS : Brass



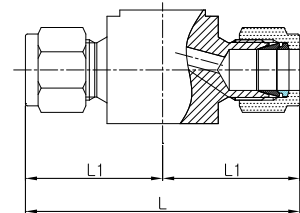
## Product Information

### Product Variations

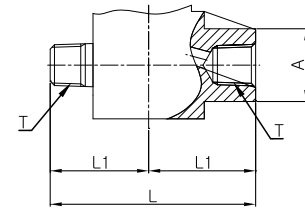
BITE TYPE



LOK TYPE



THREAD TYPE



### BITE-JIS Type Tube Fittings

(Unit : mm)

Designations	Tube O.D	L1	L	Max.Pressure(bar)	
				S316	Brass
STV-B-06M	6	32.8	65.6	340	40
STV-B-08M	8	35.8	71.6	340	40
STV-B-10M	10	36.8	73.6	340	40
STV-B-12M	12	37.8	75.6	340	40

### Male Thread Type Tube Fittings

(Unit : mm)

Designations	T	L1	L	Max.Pressure(bar)	
				S316	Brass
STV-M-02R	PT 1/4"	28	56	450	40
STV-M-03R	PT 3/8"	29	58	450	40

### LOK Type Tube Fittings

(Unit : mm)

Designations	Tube O.D	L1	L	Max.Pressure(bar)	
				S316	Brass
STV-S-6M	6	31.7	63.4	450	40
STV-S-8M	8	32.6	65.2	450	40
STV-S-10M	10	33.5	67	450	40
STV-S-12M	12	36	72	450	40
STV-S-2T	1/8"	29.2	58.4	450	40
STV-S-4T	1/4"	31.7	63.4	450	40
STV-S-6T	3/8"	33.2	66.4	450	40
STV-S-8T	1/2"	36	72	450	40

### Female Thread Type Tube Fittings

(Unit : mm)

Designations	T	A	L1	L	Max.Pressure(bar)	
					S316	Brass
STV-F-02R	PT 1/4"	17	25	50	450	40
STV-F-03R	PT 3/8"	22	32	64	450	40